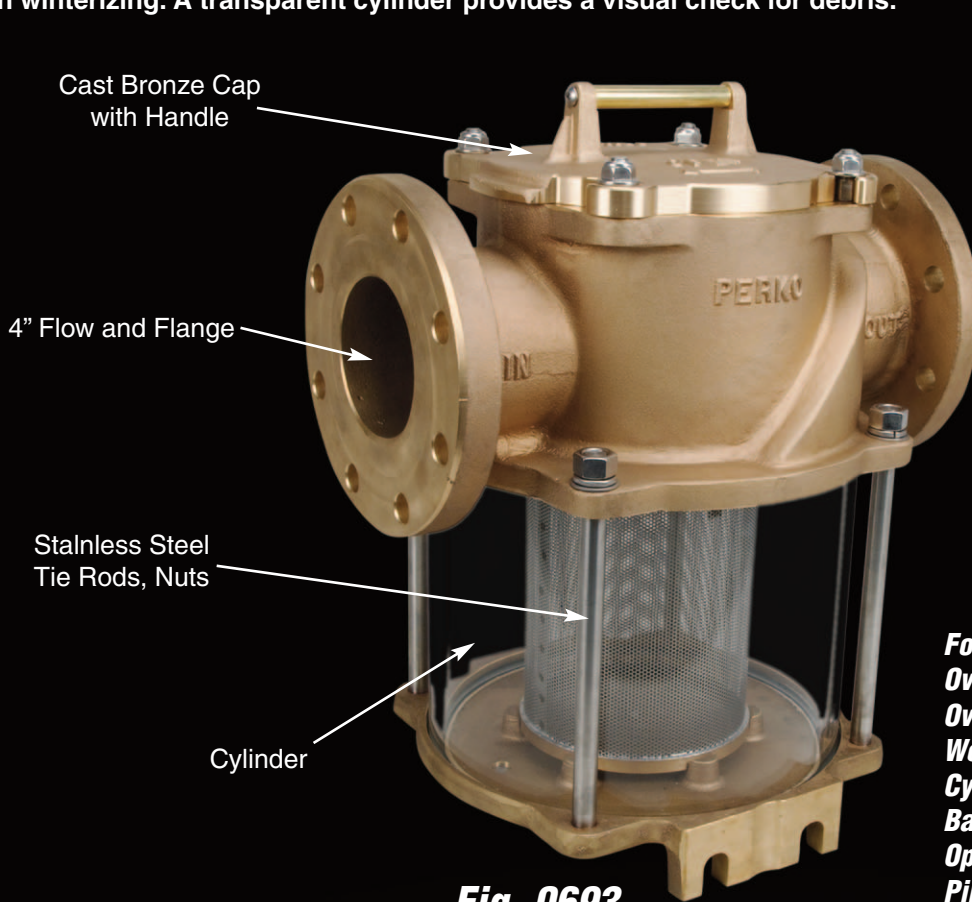


INTRODUCING THE NEW 4" INTAKE WATER STRAINER

The new Perko Large Boat Strainer Line is designed for easy installation, cleaning and maintenance. Aircraft style mounting nuts hold fast without lock washers. They are held captive by the body and can't be dropped or lost. Once the mounting nuts are loosened, a convenient handle on the top cover allows it to be easily rotated and removed providing quick access to the strainer basket. Four 316 stainless steel tie rods and strainer basket minimize electrolysis. The diameter of the screen holes is 0.079" providing 47% open area, among the highest in the industry for cylindrical strainer baskets. A drain plug in the bottom casting is provided for easy sediment removal or to drain when winterizing. A transparent cylinder provides a visual check for debris.



Specifications

For Pipe Size:	4"
Overall Height:	17.5"
Overall Width:	16.5"
Weight:	122 lbs
Cylinder Dimensions:	12" OD x 8.75"
Basket Dimensions:	6.75" x 8.625"
Open Area to	
Pipe Size Ratio:	10:1

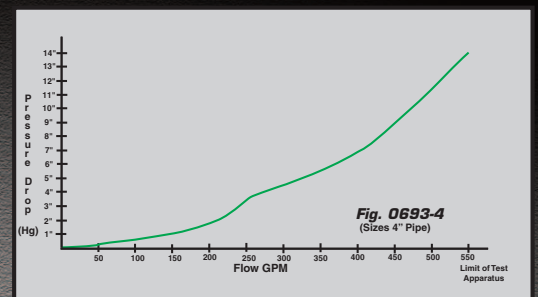
Fig. 0693

Easy open top, Simply loosen
4 captive nuts

twist and lift



Flow Chart



PERKO®

Fig. 0693 Intake Strainer Spare Parts

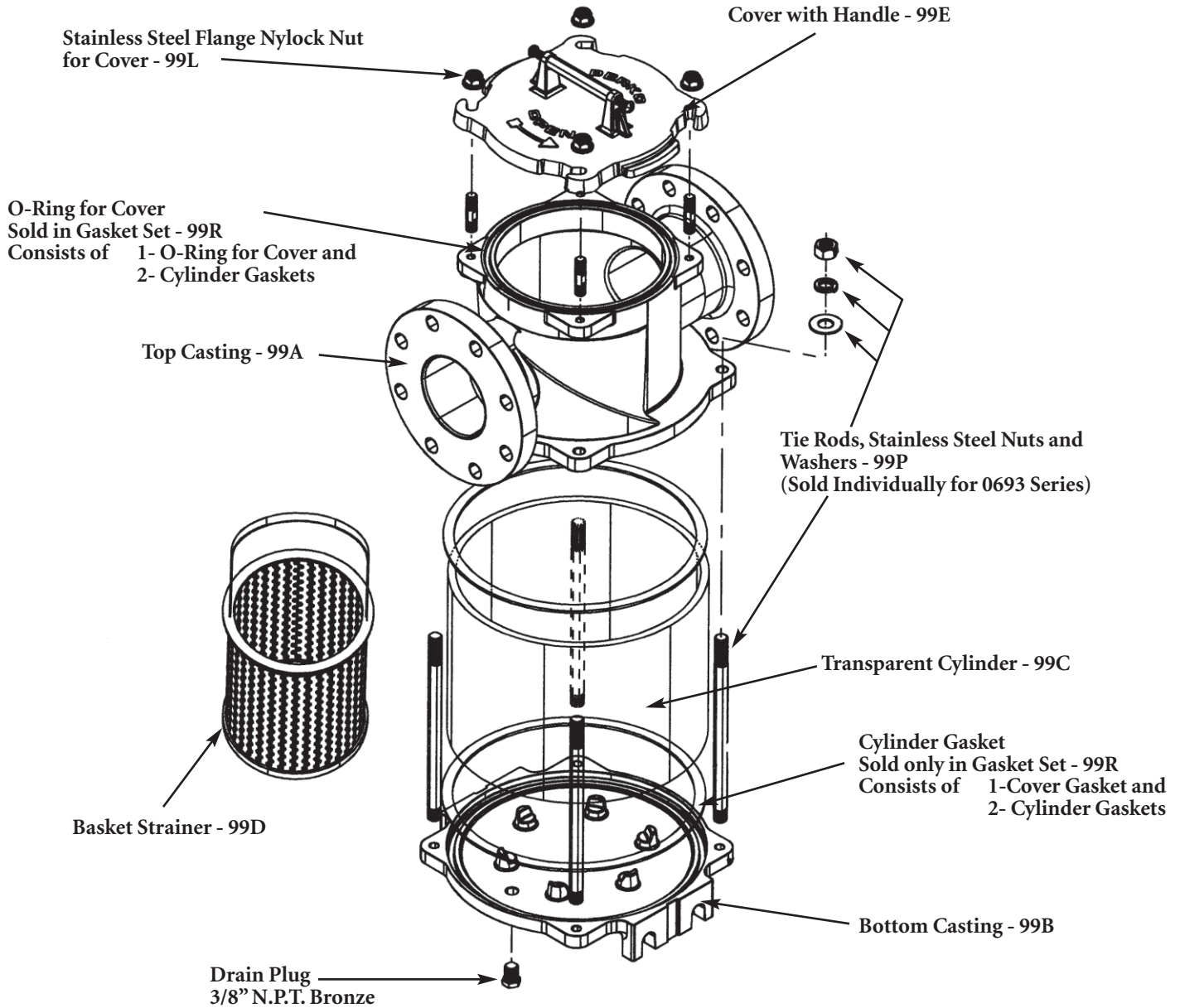


FIG. 0693 - ORDERING & TECH INFO

Pipe Size Inches	Height Overall Inches	Width Overall Inches	Standard Pkg. - 1 Pc.	Dimensions Cylinder Inches	Dimensions Basket Inches	Open Area To Pipe Size Ratio	Ship Wt. Carton Lbs. Standard Pkg.	Spare Gasket Kit* Standard Pkg. - 1 Kit
4	17-1/2	16-1/2	0693012PLB	12 OD x 8-3/4	6-3/4 x 8-5/8	10:1	122.0	069301299R

*Spare Gasket Kit Consists of: 1 O-Ring for Cover and 2 Cylinder Gaskets

4" INTAKE WATER STRAINER SPARE PARTS ORDERING INFORMATION

For Spare Part No. Insert a Spare Part Code Listed Below in Place of the "PLB" in the Strainer's Catalog Number (i.e., 069300699A, Top Casting for 1" (?) Strainer).

Description	Spare Part Code	Sample Part Number	Package	Description	Spare Part Code	Sample Part Number	Package
Top Casting	.99A	069301299A	Boxed	Gasket Kit Consists of: 1- Rubber O-Ring for Cover and 2- Rubber Cylinder Gaskets99R* Tie Rods, Nuts and Washers Consists of (1 Each for 0693 Series) ..99P	.99R*	069301299R	Bag
Bottom Casting	.99B	069301299B	Boxed				
Transparent Cylinder	.99C	069301299C	Boxed				
Basket Strainer	.99D	069301299D	Boxed				
Cover with Handle	.99E	069301299E	Boxed	.99P	069301299P	Bag	
Stainless Steel Flange Nylock Nut for Cover	.99L	069301299L	Bag				
Nylock Nut & Stud for Cover							